

Operator's Manual Parallel Arm PA1

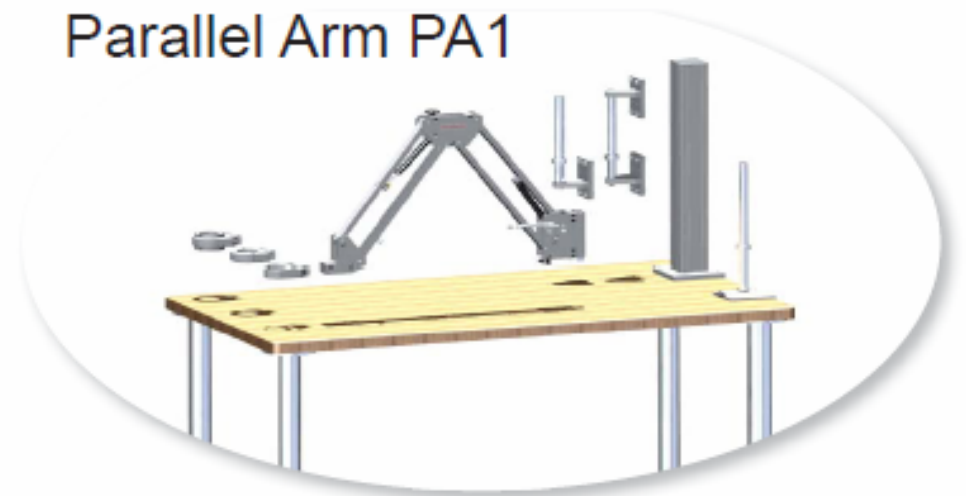
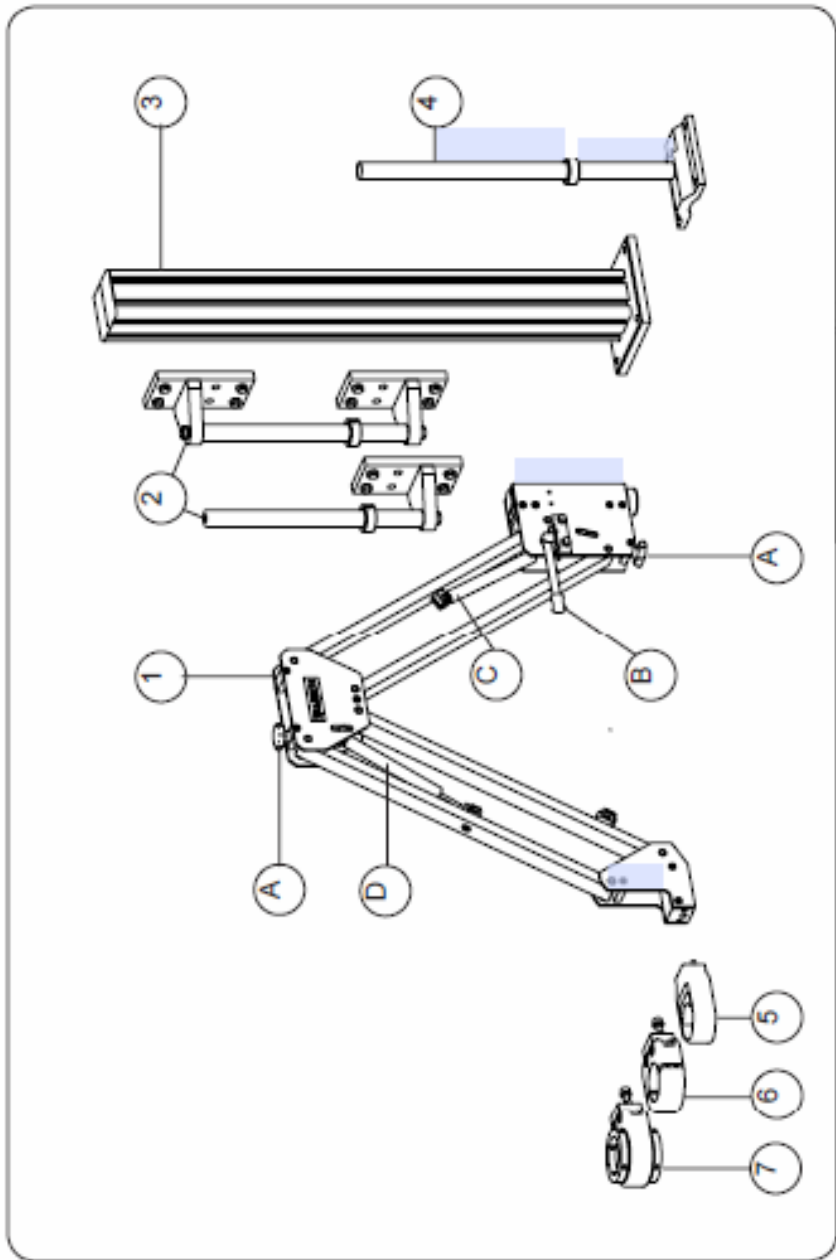


Table or wall mounted Parallel Arm made of anodized aluminum with shafts of steel. PA1 is designed for elimination of reaction force and balancing of static load.

Capacity

Max torque	70 Nm
Max load (depending on spring force).....	10 kg
Recommended working radius PA1-0400, min-max	630 - 920 mm
Recommended working radius PA1-0500, min-max	730 - 1100 mm
Recommended vertical stroke.....	100 mm



The Folding Arm is correct counterbalanced when the equipment is "weight less" to operate.

- 7 Inspect that all mentioned screws is properly tightened before use.

Changing Springs

Contact seller for instruction of changing gas springs.

Maintenance

Weekly

Control the tightening of the tool and holder.

Monthly

Control the tightening of the gas spring and the counterbalance.

Control the tightening of the set collar on the wall bracket alternative the table stand.

Yearly

Control shafts, bearings and screws at the arm, they should be whole and tightened.

Warrenty

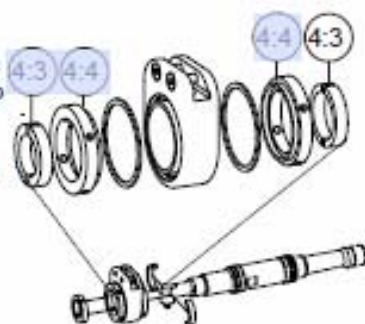
12 months.

Notes

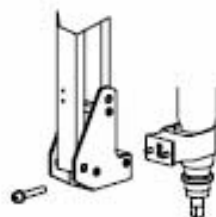
Notes section with horizontal lines for writing.

Holder for a swiveling tool:

Slip the parts on the tool as shown in the picture. Finally assemble the step down sleeves (4:3) inside the set collars (4:4) – this should be done when the tool is attached at the right place to the holder. Tighten the stop screws at the two set collars. Use 4 mm hex key.



- 5 Carefully unlock the Parallel Arm from the arresting latch and tighten the holder with the tool to the front parallel part. Use 6 mm hex key.



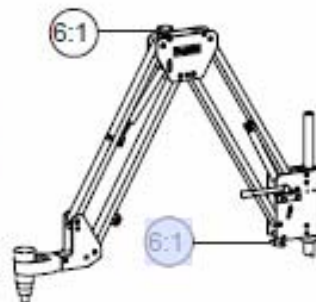
CAUTION!

A Folding Arm without a tool or counter force should be handled with extreme caution. The force from the gas spring could make the front part launch with high speed.

- 6 Strength adjustment of the gas springs.

Use the arresting knob (6:1) to adjust the strength. The adjustment should be done when tool is attached to the arm.

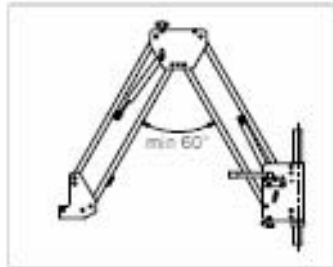
Turn the knob counter clockwise to increase the strength. Turn the knob clockwise to reduce the strength.



1	Parallel Arm PA1-0400, 1 - 2 kg	PA 1-0400-0102	6	Fixed Vertical Holder	VTH-PF-057-1
	2 - 3 kg	PA 1-0400-0203			
	3 - 4 kg	PA 1-0400-0304	7	Fixed Vertical Holder, swiveling tool	VTH-PS-057-1
	4 - 5 kg	PA 1-0400-0405	Spare Parts		
	5 - 6 kg	PA 1-0400-0506	A	Arresting Knob	STV-08X050
	5 - 6 kg	PA 1-0400-0506	B	Arresting Latch	ALA-PA1
	6 - 8 kg	PA 1-0400-0608	C	Gas Spring rear*	PA 1-0400-0102 GSP-180 PA 1-0400-0203 GSP-280 PA 1-0400-0304 GSP-280 PA 1-0400-0405 GSP-400 PA 1-0500-0102 GSP-220 PA 1-0500-0203 GSP-280 PA 1-0500-0305 GSP-400
	8 - 10 kg	PA 1-0400-0810	D	Gas Spring front*	PA 1-0400-0102 GSP-140 PA 1-0400-0203 GSP-180 PA 1-0400-0304 GSP-280 PA 1-0400-0405 GSP-400 PA 1-0500-0102 GSP-180 PA 1-0500-0203 GSP-280 PA 1-0500-0305 GSP-400
2	Wall Bracket	WBR-P1-1 WBR-P1-2			
3	Pillar	BST-060X080X0800 BST-080X080X1300			
4	Table Stand	TST-0125			
5	Adjustable Vertical Holder	ATH-4050-1 ATH-5060-1			

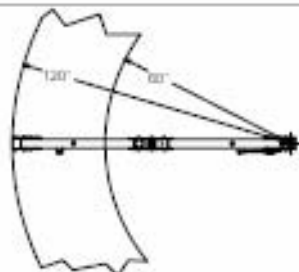
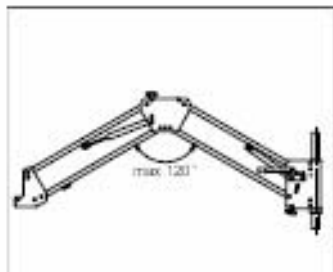
* Weight over 5 kg - contact seller

Restrictions of the Parallel Arm



CAUTION!

The counterbalancing characteristics of the Parallel Arm decreases when the angle of the Parallel Arm is more than 120° or less than 60°.



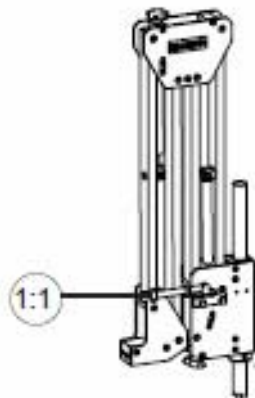
Assembly

- 1 The Parallel Arm is delivered locked in its arresting latch (1:1). The equipment shall remain in this position until the holder is being attached.



CAUTION!

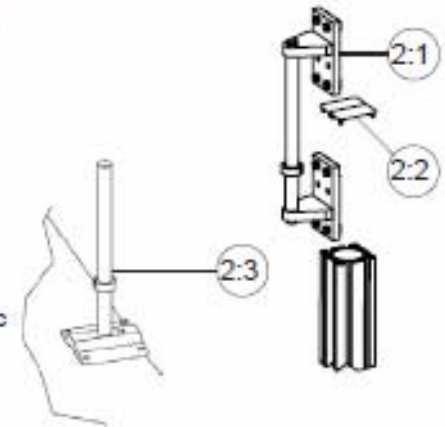
Don't stand in front the arm during assembly. The force from the gas spring could make the front part launch with high speed.



- 2 Assembly of the pillar alternative the table stand.

The Pillar

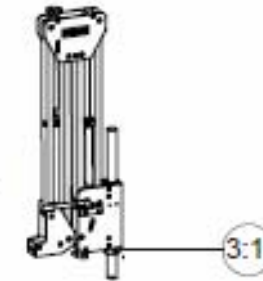
Fasten the pillar. Choice of screws is depending of surface. Then assemble the wall bracket (2:1) at the pillar. Slip the nut of the wall bracket into the track at one side of the aluminum beam. Use 13 mm spanner. End by assemble the plastic end covers (2:2) at the pillar.



The Table Stand

Fasten the table stand. Choice of screws is depending of surface.

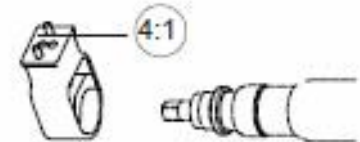
- 3 Fix the set collar (3:1) on the wall bracket alternative the table stand where the Parallel Arm should be placed. Use 4 mm hex key. Then place the locked Parallel Arm on the wall bracket alternative the table stand.



- 4 Attach the tool to the tool holder.

Adjustable holder:

Place the tool where it should be attached to the holder and tighten the screw (4:1). Use 4 mm hex key.



Fixed holder:

Loosen the screws (4:2) fixing the holder. Use 6 mm hex key. Place the step down sleeves and the tool where it should be attached to the holder. Tighten the screws.

