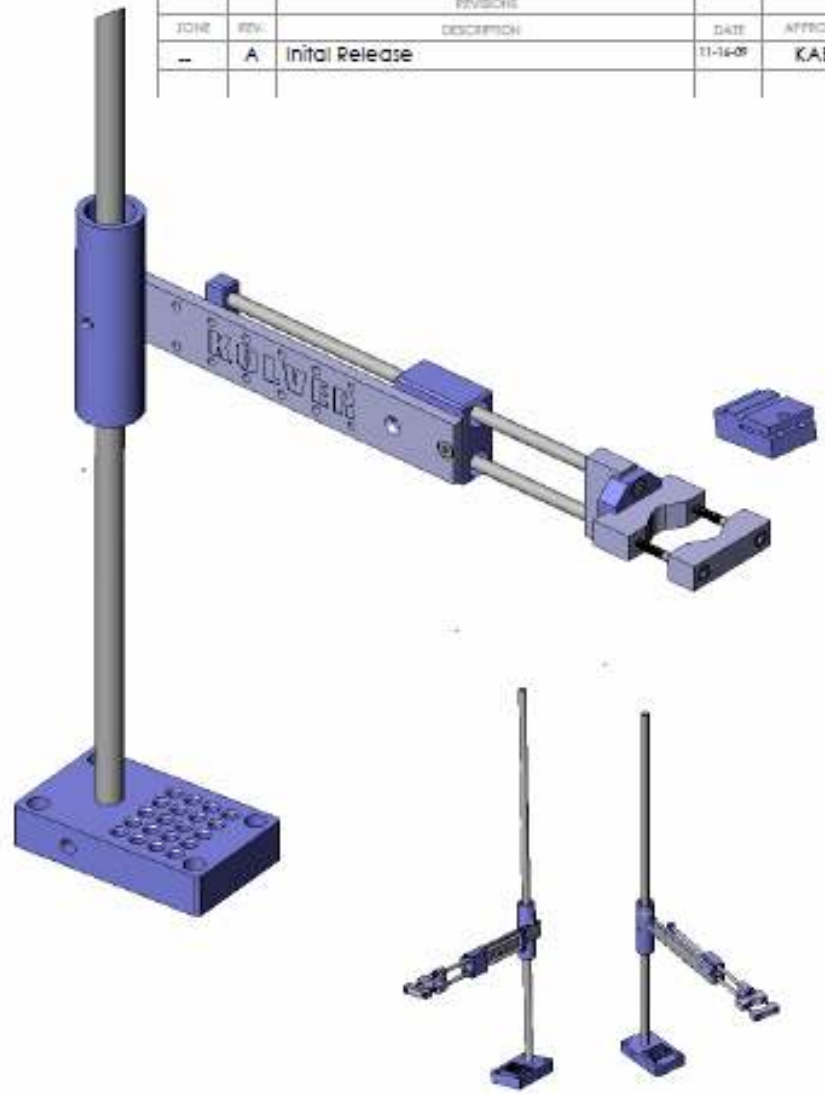
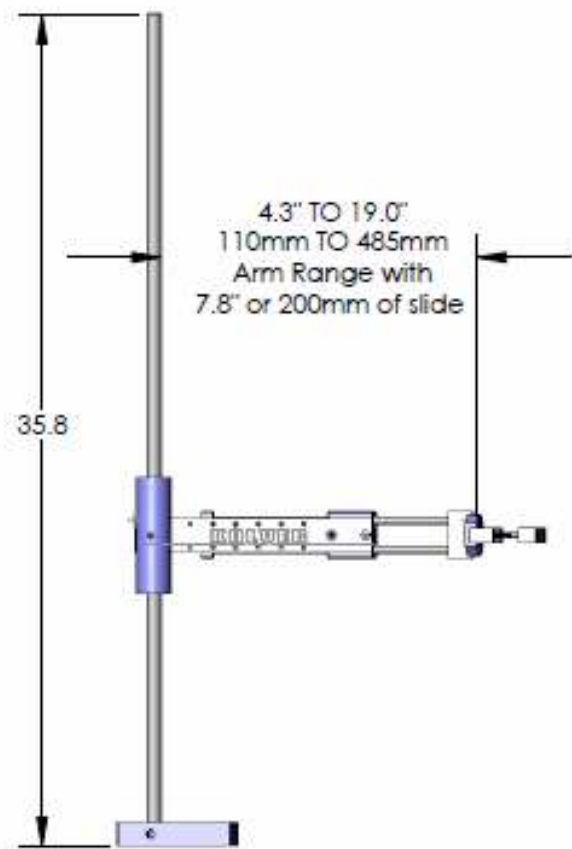


		REVISIONS		DATE	APPROVED
DATE	REV.	DESCRIPTION			
-	A	Initial Release		11-16-09	KAB



		DIMENSIONS ARE IN --INCHES--		NAME	DATE	KOLVER USA	
		TOLERANCES:		DRAWN	KAB		
		FRACTIONAL $\pm 1/32$		CHECKED			Kolver Smart Arm
		ANGULAR: MACH $\pm 2^\circ$ BEND $\pm 5^\circ$		ENG APPR.			
		TWO PLACE DECIMAL $\pm .01$		MFG APPR.			
		THREE PLACE DECIMAL $\pm .005$		S.A.			
		MATERIAL: Aluminum		COMMENTS:			
NEXT ASSY	USED ON	FINISH: Blue				DET	DWG. NO.
APPLICATION		DO - NOT SCALE DRAWING					J15311A
						SCALE: 1:1	WGHT:
						SHEET 1 OF 1	
						REV.	A