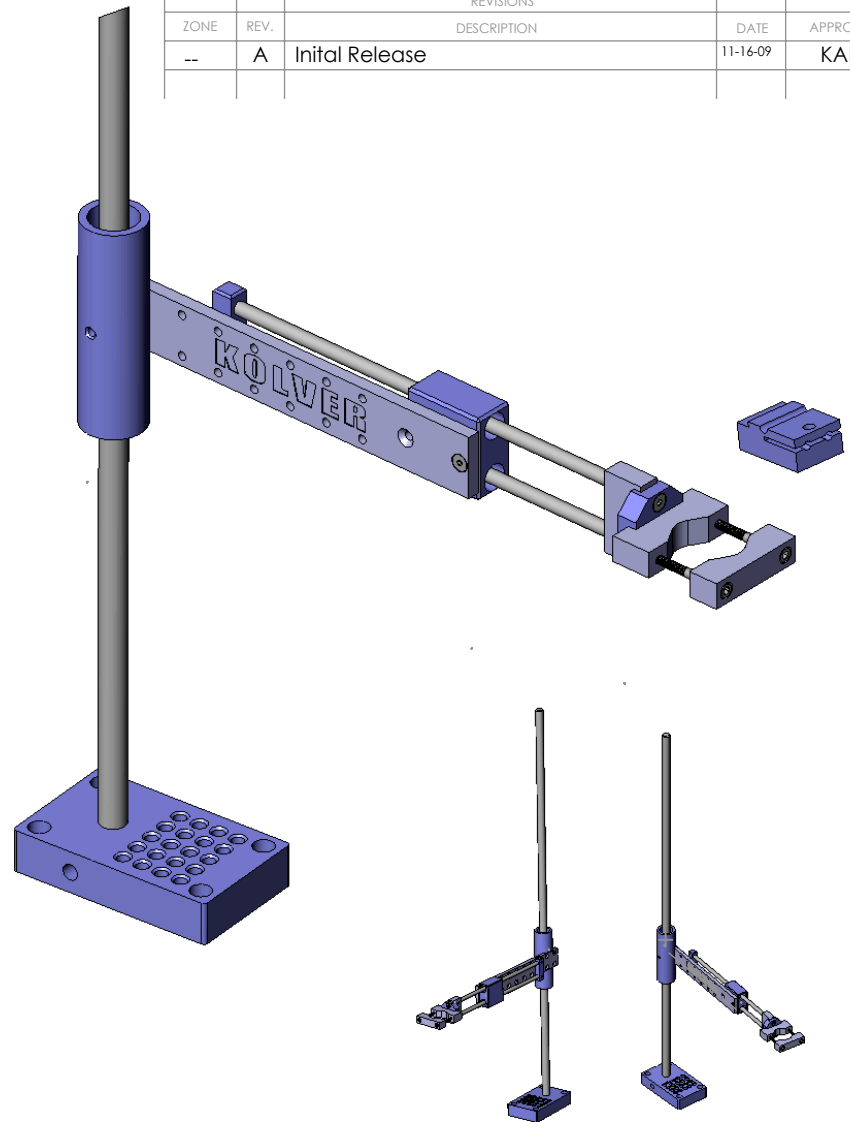
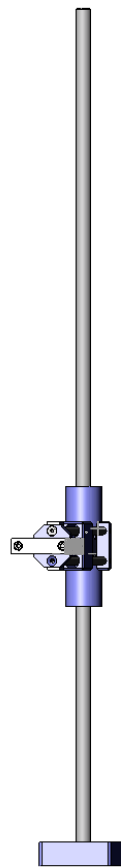
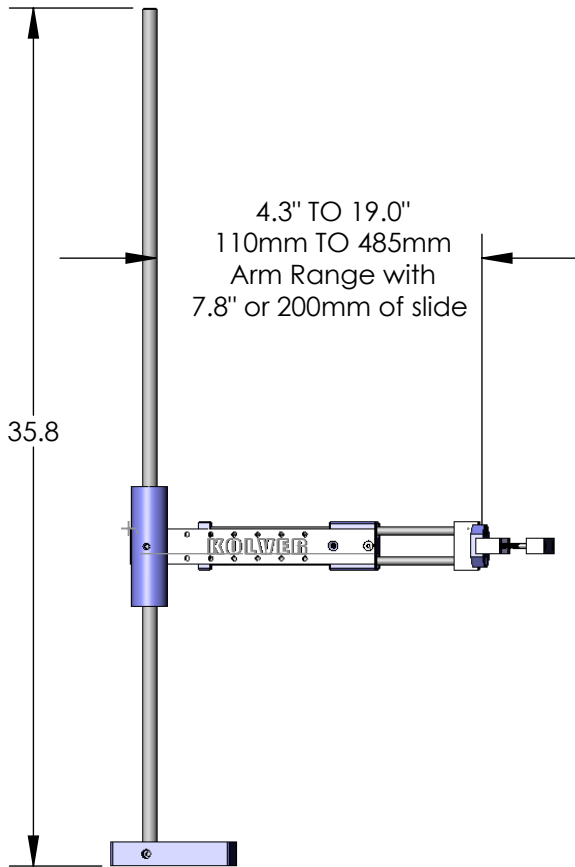


		REVISIONS			
ZONE	REV.	DESCRIPTION		DATE	APPROVED
--	A	Initial Release		11-16-09	KAB



PROPRIETARY AND CONFIDENTIAL
 THE INFORMATION CONTAINED IN THIS DRAWING IS THE SOLE PROPERTY OF BORG DESIGN INC. ANY REPRODUCTION IN PART OR AS A WHOLE WITHOUT THE WRITTEN PERMISSION OF BORG DESIGN INC IS PROHIBITED.

		DIMENSIONS ARE IN --INCHES--	NAME	DATE
		TOLERANCES:	KAB	11-16-09
		FRACTIONAL ±1/32	CHECKED	
		ANGULAR: MACH ±2° BEND ±5°	ENG APPR.	
		TWO PLACE DECIMAL ±.01	MFG APPR.	
		THREE PLACE DECIMAL ±.005	Q.A.	
		MATERIAL Aluminum	COMMENTS:	
NEXT ASSY	USED ON	FINISH Blue		
APPLICATION		DO NOT SCALE DRAWING		

KOLVER USA			
Kolver Smart Arm			
SIZE	DWG. NO.	J15311A	REV. A
SCALE:1:12	WEIGHT:		SHEET 1 OF 1