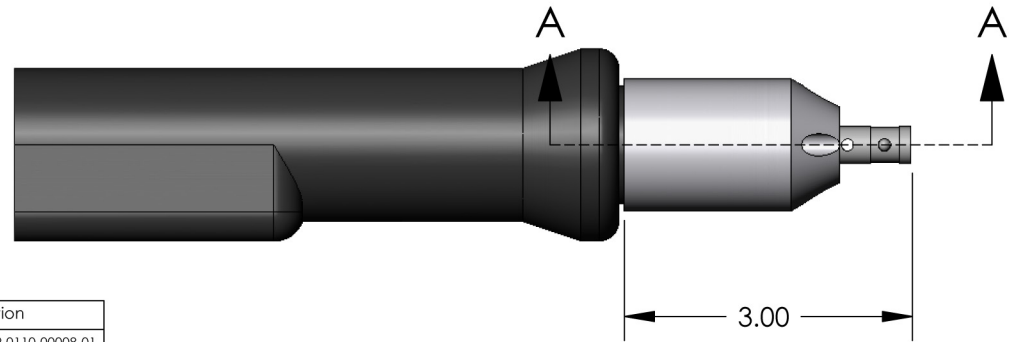
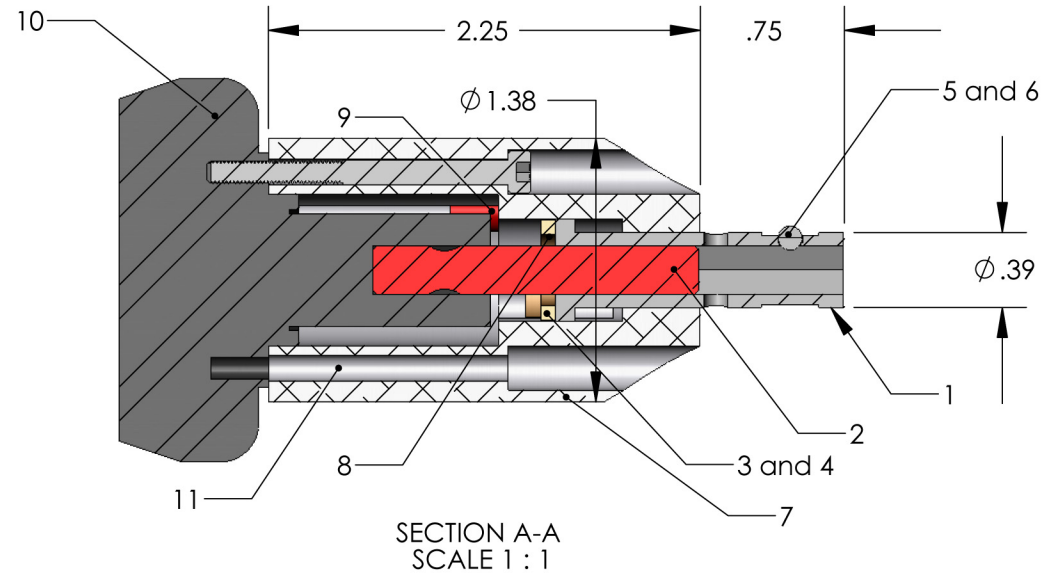
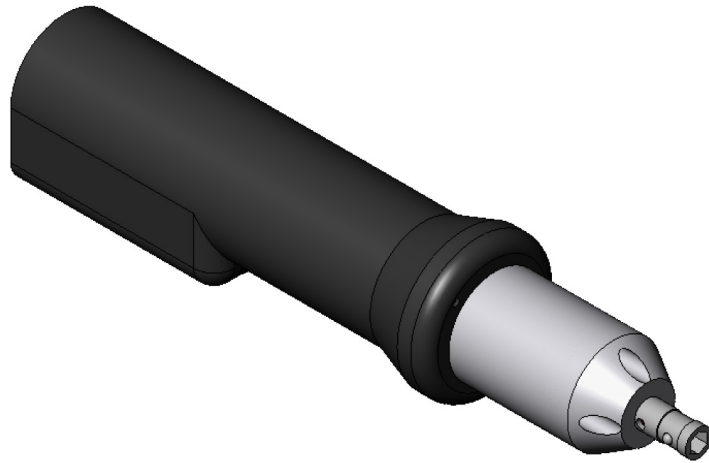


		REVISIONS		
ZONE	REV.	DESCRIPTION	DATE	APPROVED
--	A	Initial Release	3/23/11	KAB
--	B	Changes to screw length	5/16/11	KAB



ITEM	Description
1	Bit Holder 2-0110-00008-01
2	Hex Driver 2-0110-00008-02
3	Alignment Ring 2-0110-00008-03
4	H20933 Magnet 2-0110-00008-04
5	Ball D-tent 2-0110-00008-05
6	Spring Clip 2-0110-00008-06
7	Shell 2-0110-00008-07
8	Main Spring 2-0110-00008-08
9	Mag Pick up 2-0110-00008-09
10	Pluto 10D/N xx-xx-xx-xx
11	M3x40mm SHCS McM#91292A024

DIMENSIONS ARE IN --INCHES--
TOLERANCES:
FRACTIONAL $\pm 1/32$
ANGULAR: MACH $\pm 2^\circ$ BEND $\pm 5^\circ$
TWO PLACE DECIMAL $\pm .01$
THREE PLACE DECIMAL $\pm .005$

MATERIAL --
FINISH --

	NAME	DATE
DRAWN	KAB	3/23/11
CHECKED		
ENG APPR.		
MFG APPR.		
Q.A.		
COMMENTS:		

KolverUSA

Push To Start for Pluto 10D/N

PROPRIETARY AND CONFIDENTIAL
THE INFORMATION CONTAINED IN THIS DRAWING IS THE SOLE PROPERTY OF BORG DESIGN INC. ANY REPRODUCTION IN PART OR AS A WHOLE WITHOUT THE WRITTEN PERMISSION OF BORG DESIGN INC IS PROHIBITED.

Parts List

DO NOT SCALE DRAWING

SIZE	DWG. NO.	REV.
		B
SCALE:1:4	WEIGHT:	SHEET 1 OF 1